

# TopDresser

A Compact, Accurate, Low Horsepower Alternative

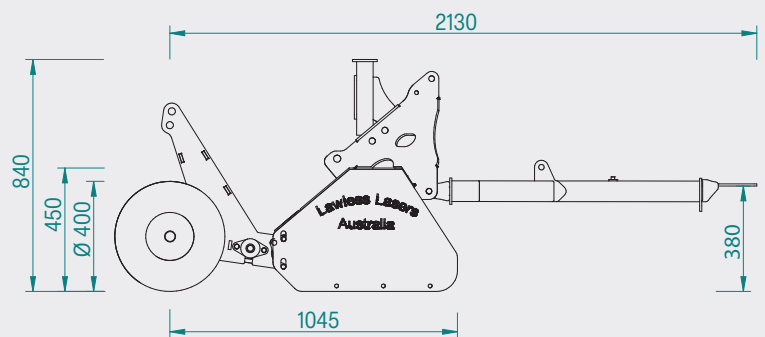


## Standard Features

- Solid Bucket Construction
- Rear Lift
- Removable Mast Bracket
- Powder-Coated Finish
- Standard Cutting Edges
- Holden Stub Axles
- Adjustable Drawbar Height
- Integrated Tie-Down and Lifting Points

## Options

- Tilt Module
- Scarifier Bar
- Segmented Roller
- Machine Control Package
- Hydraulic Control Valve
- Hydraulic Power Pack



	TD12	TD15	TD18
Horsepower Range	15 - 30	20 - 35	25 - 40
Machine Width (mm)	1250	1550	1850
Cutting Width (mm)	1200	1500	1800
Length (mm)	2400		
Approx. Capacity (m <sup>3</sup> )	0.12	0.15	0.18



CELEBRATING **40 Years**



# AUSTRALIAN MADE EARTHMOVING EQUIPMENT



## Tilt Module

- **Right Mounted** - Easily Viewed from Seated Position
- **Dual Cylinder Setting** - Allows for +/- 50mm or +100mm
- **Multiple Control Options** - Manual or Automatic Control
- **Increases Blade Control** - Gives Operator Another Tool to Improve Result



## Control Valve

- **Proportional Solenoids** - Provides Fast and Accurate Blade Movement
- **Modular** - Easily Expanded to Accommodate Dual Axis Lift
- **Hydraulic Flow Protection** - Check Valve to Eliminate Accidental Damage
- **Genuine Walvoil™ Valve** - Spare Parts Available Nationwide



## Power Pack

- **Remote Hydraulic Supply** - Allows for Use with Machines Without Hydraulics
- **5.5HP Genuine Honda** - Tough and Reliable, Spare Parts Available Nationwide
- **Easily Interchangeable** - Simple to Swap Between Towing Machines
- **Closed Hydraulic Circuit** - Eliminates Oil Contamination Issues



## Segmented Roller

- **Hydraulically Controlled** - Easily Operated from Seat When Required
- **Segmented** - Allows Segments to Rotate at Different Speeds when Turning
- **Large Drum Diameter** - Reduces Risk of Blocking or Dragging
- **Multi-Position Settings** - Fixed Up, Fixed Down or Float