

Turf Grader HD

Suited to Larger Scale Projects

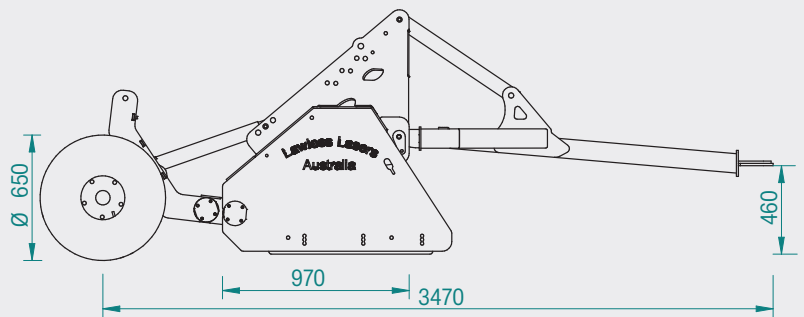


Standard Features

- Solid Bucket Construction
- Rear Lift
- Removable Mast Bracket
- Powder-Coated Finish
- Standard Cutting Edges
- Holden Stub Axles
- Adjustable Drawbar Height
- Integrated Tie-Down and Lifting Points

Options

- Tilt Module
- Scarifier Bar
- Segmented Roller
- Zero-Tread Tyres
- Machine Control Package
- Hydraulic Control Valve
- Hydraulic Power Pack
- Adjustable Length Drawbar



| | TG24HD | TG30HD |
|------------------------------------|----------|----------|
| Horsepower Range | 60 - 110 | 75 - 120 |
| Machine Width (mm) | 2450 | 3050 |
| Cutting Width (mm) | 2400 | 3000 |
| Length (mm) | 3850 | |
| Approx. Capacity (m ³) | 0.55 | 0.65 |



CELEBRATING **40 Years**

AUSTRALIAN MADE EARTHMOVING EQUIPMENT



Tilt Module

- **Right Mounted** - Easily Viewed from Seated Position
- **Dual Cylinder Setting** - Allows for +/- 50mm or +100mm
- **Multiple Control Options** - Manual or Automatic Control
- **Increases Blade Control** - Gives Operator Another Tool to Improve Result



Control Valve

- **Proportional Solenoids** - Provides Fast and Accurate Blade Movement
- **Modular** - Easily Expanded to Accommodate Dual Axis Lift
- **Hydraulic Flow Protection** - Check Valve to Eliminate Accidental Damage
- **Genuine Walvoil™ Valve** - Spare Parts Available Nationwide



Power Pack

- **Remote Hydraulic Supply** - Allows for Use with Machines Without Hydraulics
- **5.5HP Genuine Honda** - Tough and Reliable, Spare Parts Available Nationwide
- **Easily Interchangeable** - Simple to Swap Between Towing Machines
- **Closed Hydraulic Circuit** - Eliminates Oil Contamination Issues



Segmented Roller

- **Hydraulically Controlled** - Easily Operated from Seat When Required
- **Segmented** - Allows for Smooth Operation when Turning
- **Large Drum Diameter** - Reduces Risk of Blocking or Dragging
- **Multi-Position Settings** - Fixed Up, Fixed Down or Float