

CivilGrade

Highly Manoeuvrable, Built Tough

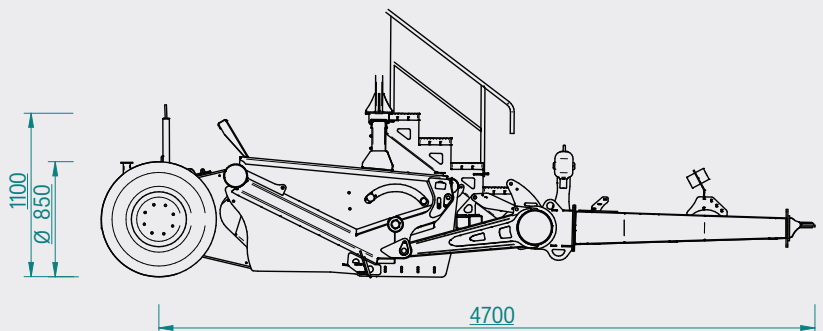


Standard Features

- Unique CamTrack Ejector
- Apron
- Ripper Bar - Front Mounted
- Tilt Module
- Floatation Tyres
- Hose and Cylinder Protection
- Standard Cutting Edges
- Integrated Tie-Down and Lifting Points

Options

- Machine Control Packages
- Leading
- Hydraulic Control Valve
- Segmented Roller
- Ball Hitch
- PTO Pump
- Dual Tilt Module



	CG25
Horsepower Range	85 - 150
Machine Width (mm)	2500
Cutting Width (mm)	2270
Length (mm)	5100
Approx. Capacity (m ³)	3.8



CELEBRATING **40 Years**

AUSTRALIAN MADE EARTHMOVING EQUIPMENT



Apron

- **Increases Load Carrying Capacity** - Allows For Longer Material Hauls
- **800mm Opening** - Easily Loads Material in Shorter Time
- **Unique Closing Action** - Less Force Required to Close Apron
- **Rigid Design** - Reduces Risk of Apron Damage from Solid Objects



Ripper Bar

- **Front Mounted** - Allows for Laser Controlled Ripping with Clear Line of Sight
- **Parallel Lift** - Control Depth While Maintaining Optimum Ripping Angle
- **Standard Shanks and Points** - Easy to Replace, Available Nationwide
- **Offset Pattern** - Reduces Build-up of Trash when Ripping



Tilt Module

- **Right Mounted** - Easily View Height Indicator from Seated Position
- **Wide Travel Range** - 80mm +/- Level, Allows for Steep Batters with Minimal Effort
- **Counterbalance Valve** - Prevents Hydraulic Creep
- **Multiple Control Options** - Manual or Automatic Control



Ball Hitch

- **70mm Ball and Cup Design** - CNC Machined for High Accuracy and Longevity
- **Includes Custom Drawbar** - Hardox™ 400, Increases Load Carrying Capacity
- **Easy to Attach** - Replaces Existing Drawbar
- **Allows Greater Flexibility of Movement** - Also Improves Operator Comfort